

Installation Instruction

Gimbalo Trimless

Mini-Gimbalo Trimless

Micro-Gimbalo Trimless

Art.

5376 5390 5397

5377 5391 5398

5378 5392

5379 5393

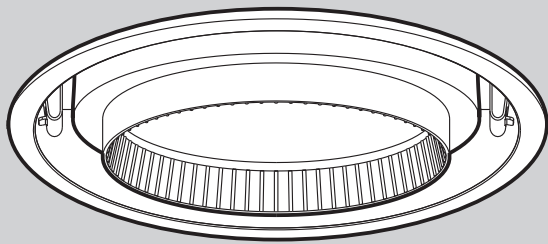
5380 5394

5381

5382

5383

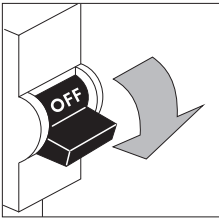
5384



Lamp Not Included

CAUTIONS

1. Switch-off the power supply before any installation and maintenance operations.



2. Installation should be carried out by a suitably qualified person in accordance with good electrical practice and the appropriate national wiring regulations.
3. Use this light fixture at the rated voltage and frequency as indicated on the specification table.

INSTALLATION

1

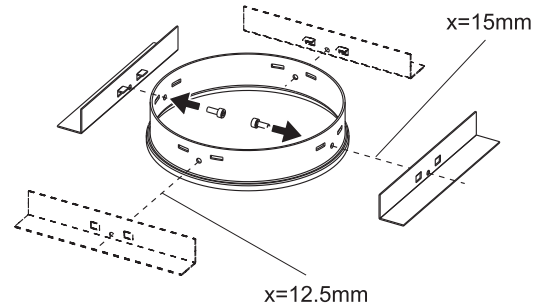
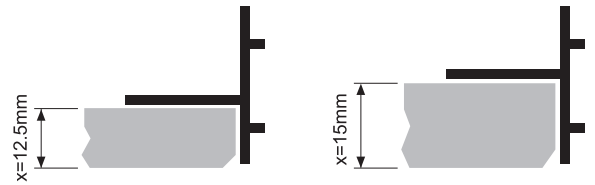
Make a hole at false ceiling.

| Art. | Ceiling hole(mm) |
|-----------|------------------|
| 5376-5384 | Ø 160 |
| 5390-5394 | Ø 138 |
| 5397,5398 | Ø 102 |

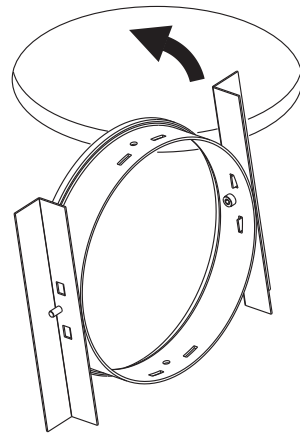


False Ceiling

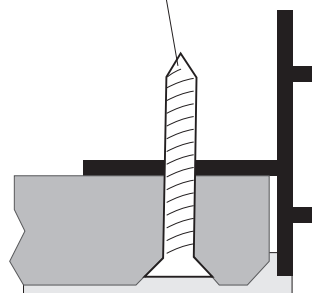
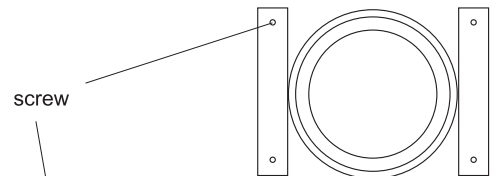
2



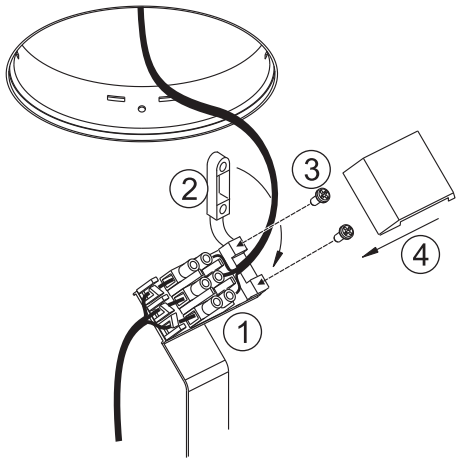
3



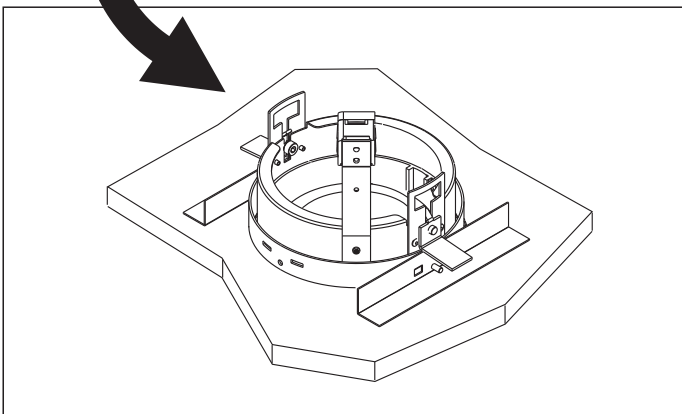
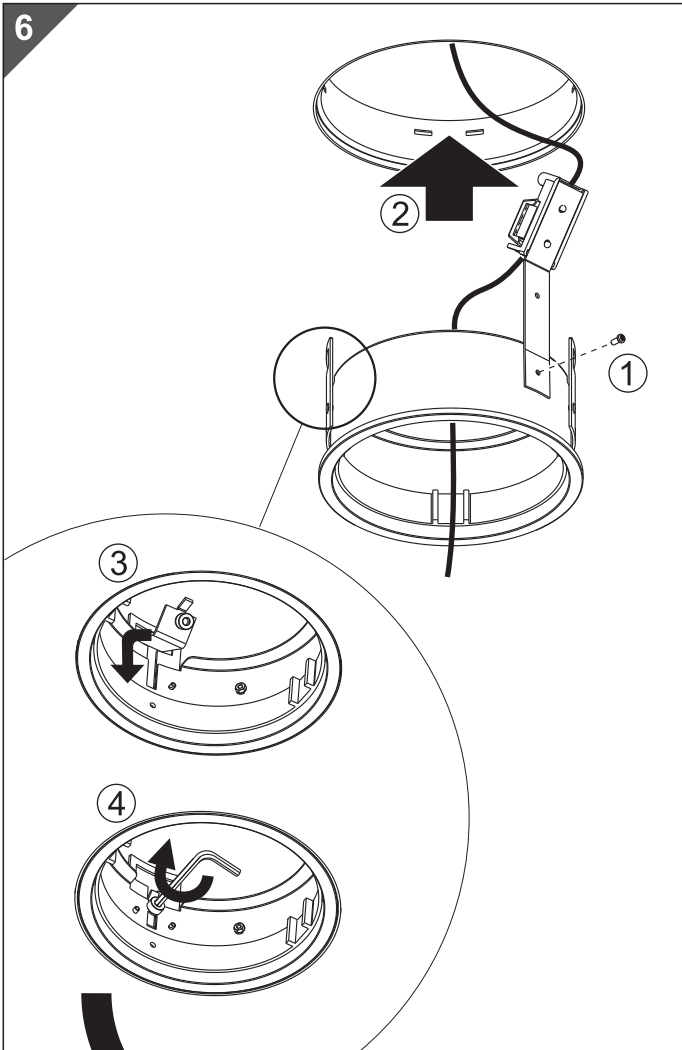
4



5



6



Gimbal Trimless Lamp Installation

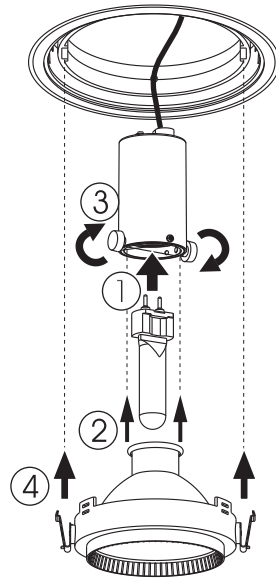
7



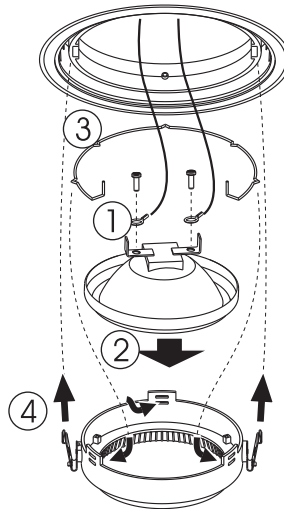
ART.
5376
5377



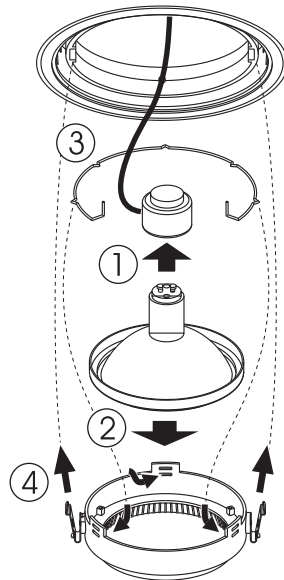
ART.
5383
5384

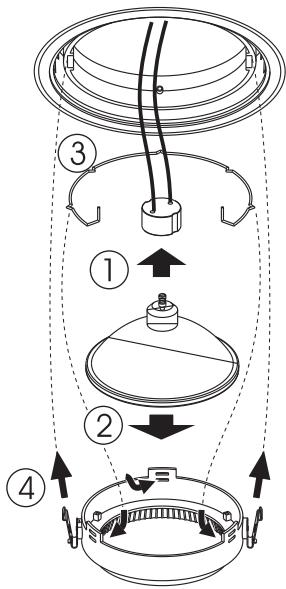


ART.
5378

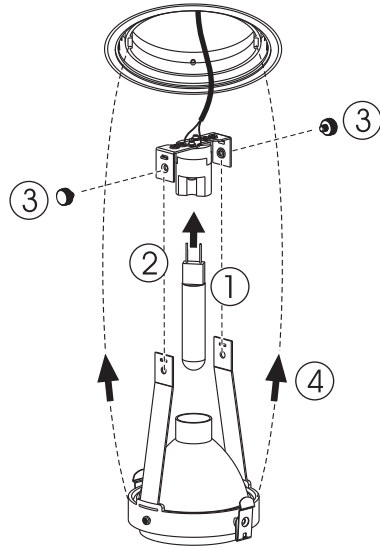


ART.
5379

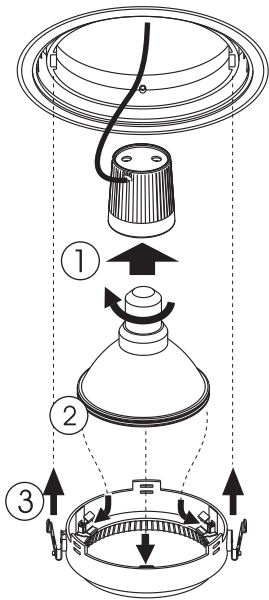




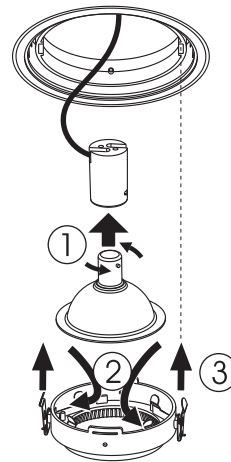
ART.
5380



ART.
5392
5393

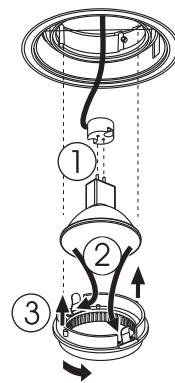


ART.
5381
5382

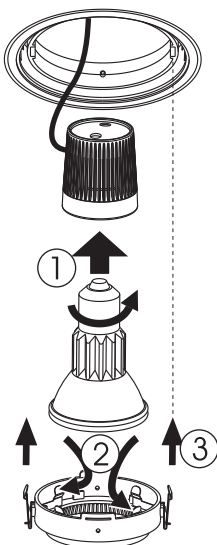


ART.
5394

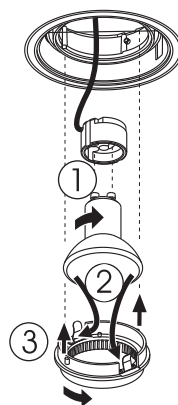
Micro-Gimbalo Trimless Lamp Installation



ART.
5397



ART.
5390
5391

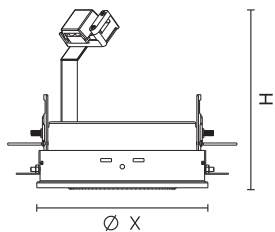


ART.
5398

Mini-Gimbalo Trimless Lamp Installation

MEASUREMENT

Dimension in mm



| Art. | X | H |
|------------|-------|-----|
| 5376-5384 | Ø 158 | 167 |
| 5390-5394 | Ø 136 | 177 |
| 5397, 5398 | Ø 100 | 177 |

SPECIFICATION

Gimbalo Trimless

| Art. | Max. Wattage(W) | Volt.(V) /f(Hz) | Lamp | Remarks |
|-------------|-----------------|-----------------|---------------------------------------|---------|
| 5376 | 35/70 | 230/50 | G12 CDM-T M.H. (Spot Light 10°) | ** |
| 5377 | 35/70 | 230/50 | G12 CDM-T M.H. (Flood Light 40°) | ** |
| 5378 | 75 | 12 | G53 AR111 | * |
| 5379 | 35/70 | 230/50 | GX8.5 CDM-R111 | ** |
| 5380 | 75 | 230/50 | GU10 ES111 (Hal.) | N.A. |
| 5381 | 100 | 230/50 | E27 PAR30 (Hal.) | N.A. |
| 5382 | 70 | 230/50 | E27 PAR30 (CDM-R) | ** |
| 5383 | 50/100 | 230/50 | GX12-1 SON (SDW-TG) (Spot Light 10°) | ** |
| 5384 | 50/100 | 230/50 | GX12-1 SON (SDW-TG) (Flood Light 40°) | ** |

Mini-Gimbalo Trimless

| Art. | Max. Wattage(W) | Volt.(V) /f(Hz) | Lamp | Remarks |
|-------------|-----------------|-----------------|------------------------------------|---------|
| 5390 | 50 | 230/50 | E27 PAR20 (Hal.) | N.A. |
| 5391 | 35 | 230/50 | E27 PAR20 (CDM-R) | ** |
| 5392 | 35/70 | 230/50 | G8.5 CDM-TC M.H. (Spot Light 15°) | ** |
| 5393 | 35/70 | 230/50 | G8.5 CDM-TC M.H. (Flood Light 55°) | ** |
| 5394 | 50 | 12 | B15d AR70 | * |

Micro-Gimbalo Trimless

| Art. | Max. Wattage(W) | Volt.(V) /f(Hz) | Lamp | Remarks |
|-------------|-----------------|-----------------|------------|---------|
| 5397 | 50 | 12 | GU5.3 MR16 | * |
| 5398 | 50 | 230/50 | GU10/GZ10 | N.A. |

- * Remote transformer required
- ** Remote control gear required